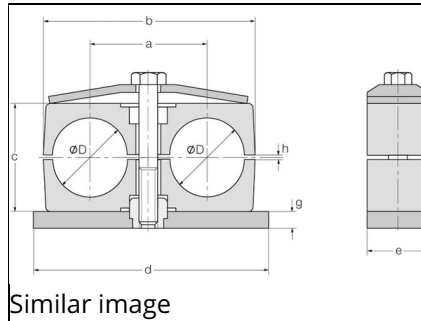


Pipe clamps, twin series



Art. No.:

RS-CF1-10

List number: 16200200

Product info

Specifications

Color:	green
DIN:	1
Series:	CF1
Ø D metric [mm]:	10,0
Nominal pipe-Ø inches:	1/8
Width b [mm]:	36
Height c [mm]:	27
Depth e [mm]:	30
Material:	Polypropylene
Product title long:	Basic material for pipe clamps
clamp half clearance [mm]:	0,6 up to 1,5

Benefit

fast, easy pipe and hose assembly
 Vibration and soundproofing qualities
 Shock and vibration absorption
 Good weatherability
 High level of availability, directly from stock

Reserve technical changes.