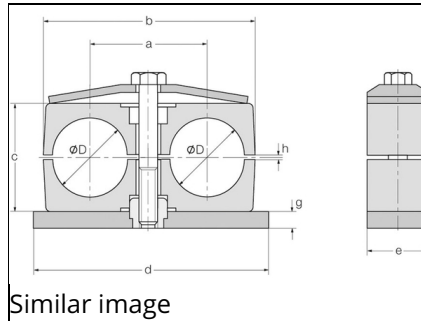


## Pipe clamps, twin series



Similar image



Similar image

**Art. No.:**

**RS-CF2-15**

**List number: 16202200**

## Product info

### Specifications

Color:	green
DIN:	2
Series:	CF2
Ø D metric [mm]:	15,0
Width b [mm]:	53
Height c [mm]:	26
Depth e [mm]:	30
Material:	Polypropylene
Product title long:	Basic material for pipe clamps
clamp half clearance [mm]:	0,7 up to 2,5

## Benefit

fast, easy pipe and hose assembly  
Vibration and soundproofing qualities  
Shock and vibration absorption  
Good weatherability  
High level of availability, directly from stock

Reserve technical changes.