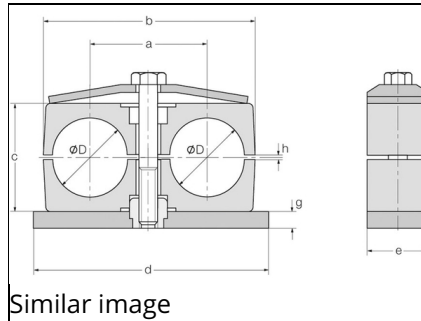


## Pipe clamps, twin series



**Art. No.:**  
**RS-CF3G12**  
**List number: 16204150**

## Product info

### Specifications

Color:	green
DIN:	3
Series:	CF3
Ø D metric [mm]:	21,3
Nominal pipe-Ø inches:	1/2
Width b [mm]:	67
Height c [mm]:	37
Depth e [mm]:	30
Material:	Polypropylene
Product title long:	Basic material for pipe clamps
clamp half clearance [mm]:	0,7 up to 2,5

## Benefit

fast, easy pipe and hose assembly  
Vibration and soundproofing qualities  
Shock and vibration absorption  
Good weatherability  
High level of availability, directly from stock

Reserve technical changes.